

GENERAL NOTES:

1. ALL FASTENERS SHALL BE IN ACCORDANCE WITH THESE DRAWINGS. SPECIFIED ANCHOR EMBED TO BASE MATERIAL SHALL BE BEYOND WALL FINISH OR STUCCO.
2. OPENINGS, BUCKING & BUCKING FASTENERS MUST BE PROPERLY DESIGNED & INSTALLED TO TRANSFER WIND LOADS TO THE STRUCTURE.
3. THESE NON-IMPACT RATED PRODUCT INSTALLATIONS ARE IN ACCORDANCE WITH AND MEET THE REQUIREMENTS OF THE FLORIDA BUILDING CODE (FBC).
4. ALL ANCHORS SECURING PRODUCT FRAMES TO PRESSURE TREATED BUCKS OR WOOD FRAMING SHALL BE CAPABLE OF RESISTING CORROSION CAUSED BY THE PRESSURE TREATING CHEMICALS IN THE WOOD.
5. MATERIALS, INCLUDING BUT NOT LIMITED TO STEEL SCREWS, THAT COME INTO CONTACT WITH OTHER DISSIMILAR MATERIALS SHALL MEET THE REQUIREMENTS OF FLORIDA BUILDING CODE CHAPTER 20.
6. TO THE BEST OF OUR KNOWLEDGE, THE PRODUCT SHOWN HEREIN IS CERTIFIED & QUALITY ASSURED BY A FLORIDA STATE APPROVED CERTIFICATION/OA ENTITY & SHALL BE LABELED IN ACCORDANCE WITH THE FBC AND THE FLORIDA DEPARTMENT OF BUSINESS & PROFESSIONAL REGULATION SPECIFICATIONS. PRODUCT ASSEMBLY IS NOT PART OF THIS DRAWING AND SHALL BE IN ACCORDANCE WITH THE MANUFACTURER'S QUALITY ASSURANCE SPECIFICATIONS & TESTING REPORTS.
7. CERTIFICATION OF THESE PRODUCT INSTALLATIONS SHALL BE CONSIDERED VOID IF ANY OF THE FOLLOWING APPLY: 1) PRODUCT IS INSTALLED WITHOUT A BUILDING PERMIT FROM THE APPLICABLE LOCAL BUILDING DEPARTMENT. 2) PRODUCT IS INSTALLED BY ANYONE OTHER THAN A LICENSED CONTRACTOR EXPERIENCED WITH INSTALLATIONS OF THIS TYPE OF PRODUCT. 3) IF CHANGES HAVE OCCURRED TO THE PRODUCT'S CERTIFICATION ENTITY'S CERTIFICATE THAT CAUSE THESE INSTALLATIONS TO BE INCORRECT OR INCONSISTENT WITH WHAT HAS BEEN TESTED.
8. THE LEAST DESIGN PRESSURE SPECIFIED EITHER IN THIS DRAWING OR IN THE PRODUCT'S CERTIFICATION SHALL CONTROL FOR THE INSTALLED PRODUCT.
9. THESE DRAWINGS CERTIFY THE PRODUCT INSTALLATION ONLY. WATER PROOFING OF THE INSTALLED PRODUCT IS NOT PART OF THIS INSTALLATION CERTIFICATION. THAT RESPONSIBILITY SHALL BE THAT OF THE MANUFACTURER &/OR INSTALLER.

INSTALLATION EVALUATION IS BASED ON APPLICABLE ANCHOR STANDARDS AND/OR INFORMATION & RESULTS FROM APPLICABLE TEST REPORTS. THE FLORIDA BUILDING CODE VERSION CONSIDERED WITH THE EVALUATION WAS THAT IN FORCE AT THE TIME OF THE EVALUATION. IN THE EVENT OF CODE VERSION CHANGES/UPDATES OR IN THE EVENT THAT NEW OR ADDITIONAL TESTING IS COMPLETED ON THE REFERENCED PRODUCT, PRIOR TO STATING CODE COMPLIANCE WITH THE STATE, THE MANUFACTURER SHALL CONFIRM WITH THE INSTALLATION EVALUATION ENGINEER OF RECORD THAT THE INSTALLATIONS SPECIFIED HERE-IN ARE CURRENT WITH THE THEN CURRENT TESTING, CODE AND APPLICABLE STANDARDS.

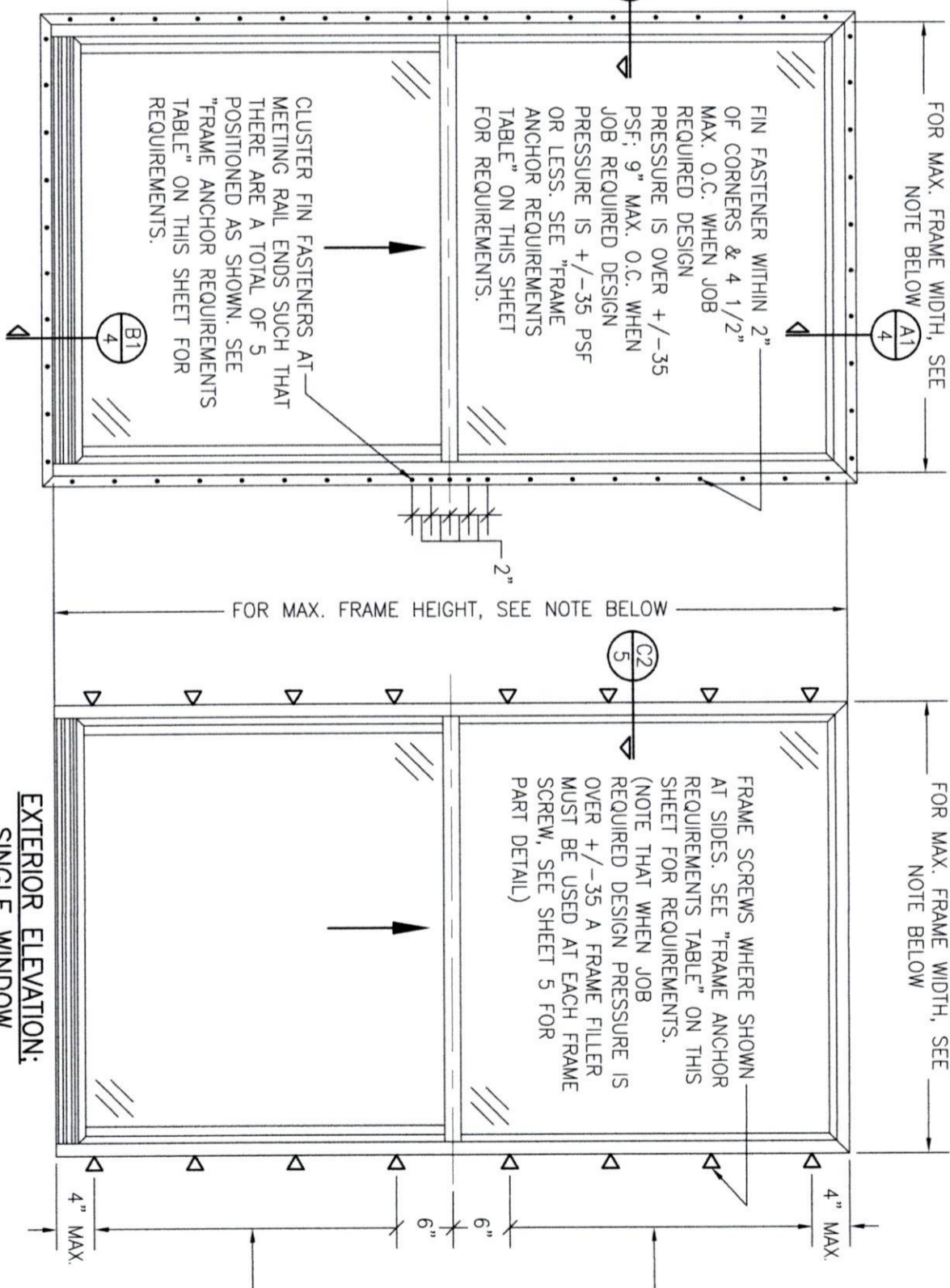
PRESSURES & CONDITIONS SHOWN IN THIS DRAWING ARE GOVERNED BY INSTALLATION REQUIREMENTS ONLY. THE GOVERNING CONDITIONS ON ANY SPECIFIC PRODUCT SHALL BE THE LESSER OF THOSE SPECIFIED IN THE PRODUCTS STATE APPROVAL OR THAT SHOWN IN THESE DRAWINGS.

INSTALLATION NOTE:
WHEN NECESSARY, INSTALLATION METHODS MAY BE MIXED WITH ANY ONE WINDOW SUCH THAT INDIVIDUAL SIDES OF THE WINDOW MAY USE ONE OR THE OTHER ANCHOR METHOD (EXAMPLE: HEAD MAY USE FRAME SCREWS METHOD WHILE OTHER SIDES USE FIN)

FRAME ANCHOR REQUIREMENTS TABLE

OPENING TYPE (SUBSTRATE)	FRAME/CLIP/NAIL FIN TO OPENING FASTENER TYPE	MINIMUM EMBED	MINIMUM EDGE DIST.
(1) FRAME SCREWS			
MIN. 2X4 WOOD FRAME OR BUCK (MIN. GR. 3 & G=0.55)	NO. 10 SMS OR WOOD SCREW	1 1/4"	3/4"
MIN. 18 GA. 33 KSI METAL STUD	NO. 10 GR. 5 SELF TAP/DRILL SCREW	FULL	1/2"
MIN. 1/8" THK A36 STEEL	NO. 10 GR. 5 SELF TAP/DRILL SCREW	FULL	1/2"
MIN. 1/8" THK 6063-T5 ALUM.	NO. 10 GR. 5 SELF TAP/DRILL SCREW	FULL	1/2"
MIN. C-90 CMU OR 2500 PSI CONCRETE	(2) 1/4" CONCRETE SCREW	1 1/4"	2"
(1) INSTALLATION CLIP SCREWS			
MIN. 2X4 WOOD FRAME OR BUCK (MIN. GR. 3 & G=0.55)	NO. 10 SMS SCREW	1 1/4"	1/2"
MIN. 18 GA. 33 KSI METAL STUD	NO. 10 GR. 5 SELF TAP/DRILL SCREW	FULL	1/2"
MIN. 1/8" THK A36 STEEL	NO. 10 GR. 5 SELF TAP/DRILL SCREW	FULL	1/2"
MIN. 1/8" THK 6063-T5 ALUM.	NO. 10 GR. 5 SELF TAP/DRILL SCREW	FULL	1/2"
2500 PSI CONCRETE	(2) 3/16" CONCRETE SCREW	1 1/4"	2"
(3) NAILING FIN FASTENERS			
MIN. 2X4 WOOD FRAME OR BUCK (MIN. GR. 3 & G=0.55)	NO. 8 SMS SCREW	1 3/8"	1/2"
MIN. 2X4 WOOD FRAME OR BUCK (MIN. GR. 3 & G=0.55)	11 GA. ROOFING NAIL	1 3/8"	1/2"
MIN. 1/8" THK A36 STEEL	NO. 8 GR. 5 SELF TAP/DRILL SCREW	FULL	1/2"
MIN. 1/8" THK 6063-T5 ALUM.	NO. 8 GR. 5 SELF TAP/DRILL SCREW	FULL	1/2"

- (1) FRAME AND INSTALLATION CLIP SCREWS SHALL BE A PAN OR HEX HEAD SCREW.
- (2) CONCRETE SCREWS SHALL BE ELCO ULTRACONS (C.S.), ELCO CRETE-FLEX (S.S.), ITW RAMSET/RED HEAD TAPCONS (C.S. OR S.S.) OR HILTI KWIK-CON II (C.S. OR S.S.).
- (3) WHEN SCREWS ARE USED WITH THE NAIL FIN, THEY MUST BE A PAN HEAD OR WAFFLE HEAD SCREW OR HAVE A FLAT WASHER AT THE SCREW HEAD.



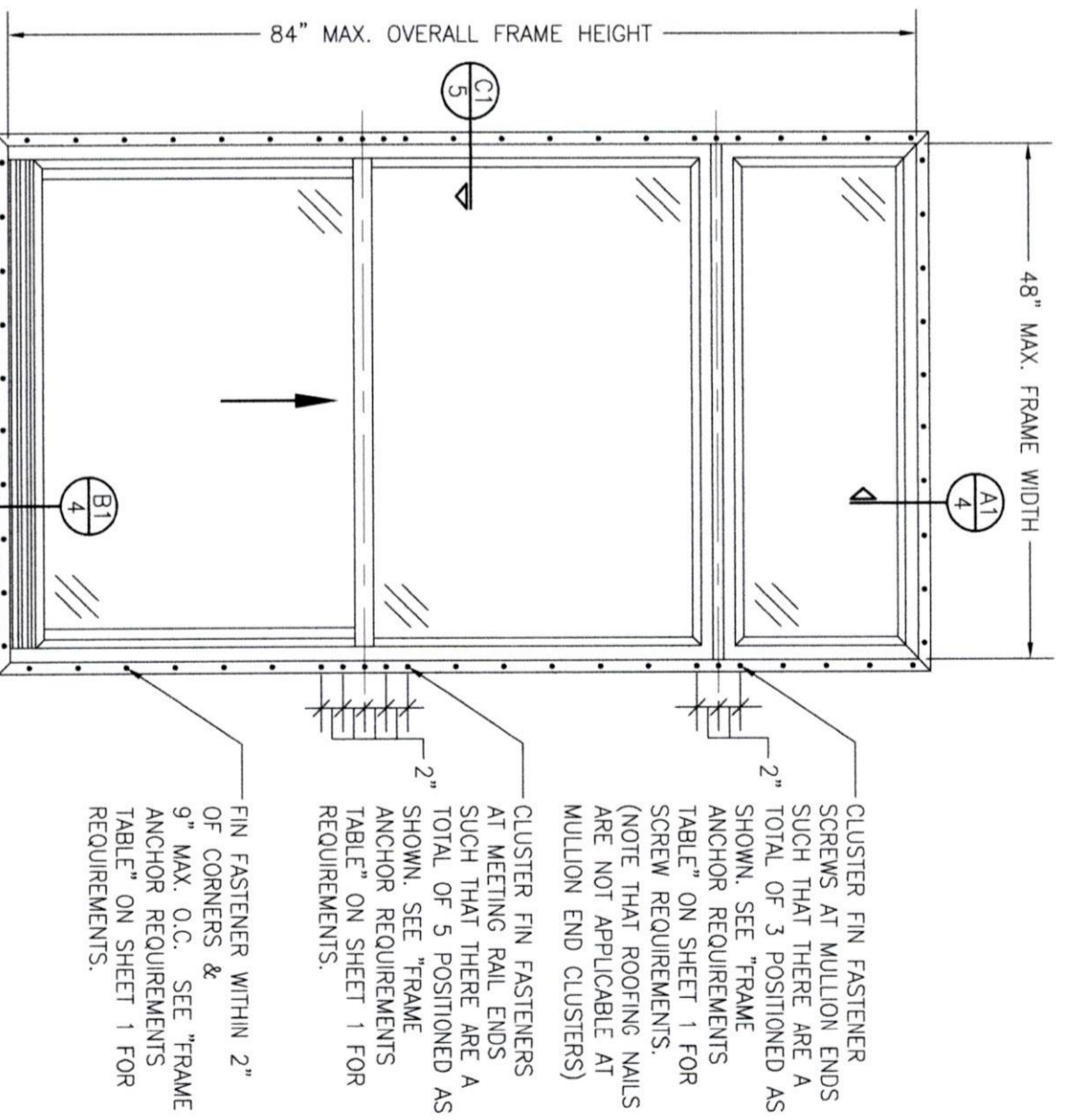
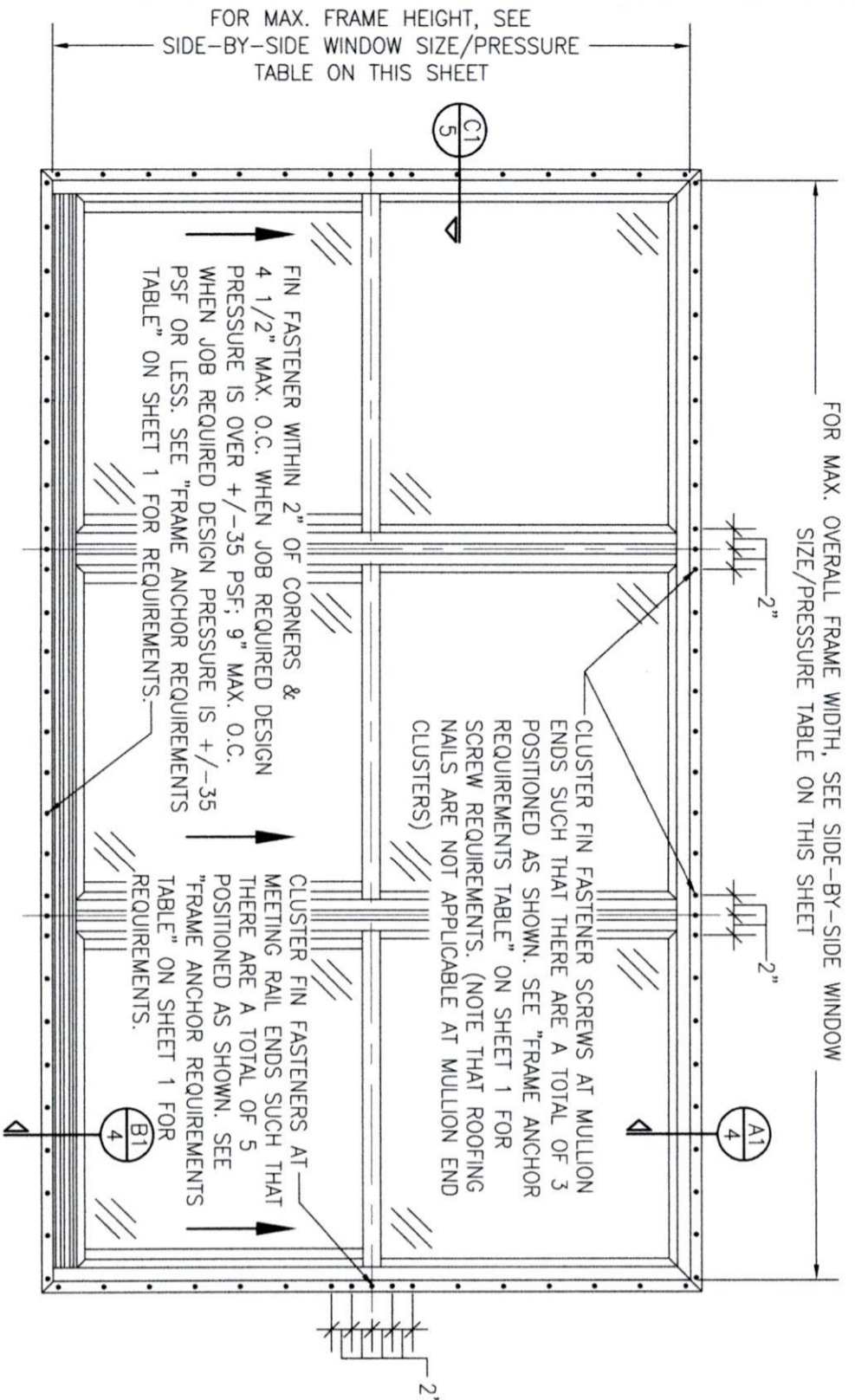
NOTE: FOR MAX. SINGLE WINDOW FRAME DIMENSIONS AND ALLOWABLE DESIGN PRESSURE, SEE APPLICABLE FLORIDA APPROVAL

ANCHOR/SUBSTRATE EVALUATION NOTE:
ALL ANCHORS IN THEIR SPECIFIED SUBSTRATES HAVE BEEN ANALYZED IN ACCORDANCE WITH THEIR APPLICABLE STANDARD(S) AND ARE FOUND TO BE CAPABLE OF SUPPORTING ALL LOADS IMPOSED ON THEM UNDER THE GUIDELINES OF THIS DOCUMENT. ANY SUBSTRATES OR CONDITIONS OUTSIDE OF WHAT IS SHOWN HERE-IN SHALL BE SUBJECT TO JOB SPECIFIC ENGINEER'S REVIEW & CERTIFICATION.

SIDE JAMB ANCHOR SPACING TABLE		
MAXIMUM FRAME WIDTH (IN.)	O.C. SPACING (IN.)	MAXIMUM SPACING (IN.)
54	12	12
48	13	13
36	17	17

THESE DRAWINGS ARE APPLICABLE ONLY TO THE PRODUCT SPECIFIED. THEY MAY NOT BE USED FOR THE ASSEMBLY AND/OR INSTALLATION OF ANY OTHER PRODUCT NOR MAY THEY BE USED FOR NATIONAL AND/OR LOCAL APPROVAL OF ANY PRODUCT NOT PRODUCED BY THE MANUFACTURER STATED ON THESE DRAWINGS.

DRAWING NO. 1867	SHEET NO. 1 OF 5	DATE: 02/05/14	CHECKED BY: W.W.S.	DRAWING TITLE: 250 SERIES VINYL SINGLE HUNG NON-IMPACT WINDOW CONSULTANTS: W. W. SCHAEFER ENGINEERING & CONSULTING, P.A. 26376 NADIR ROAD; UNIT 309 PUNTA GORDA, FL 33983 PHONE: 561-744-3424 MANUFACTURER: PELLA CORPORATION 102 MAIN STREET PELLA, IA 50219 641-621-1000																
CERTIFICATION: WARREN W. SCHAEFER, P.E. P.E. NO. 44135		REVISIONS: <table border="1" style="font-size: small;"> <thead> <tr> <th>NO.</th> <th>REVISION DESCRIPTION</th> <th>BY</th> <th>DATE</th> </tr> </thead> <tbody> <tr> <td>A1</td> <td>UPDATE FOR NEW TESTING</td> <td>W.W.S.</td> <td>03/08/16</td> </tr> <tr> <td>B1</td> <td>ADDED 109 X 72 WINDOW</td> <td>W.W.S.</td> <td>11/02/20</td> </tr> <tr> <td>C1</td> <td>UPDATE TO CURRENT STANDARDS</td> <td>W.W.S.</td> <td>03/09/23</td> </tr> </tbody> </table>		NO.	REVISION DESCRIPTION	BY	DATE	A1	UPDATE FOR NEW TESTING	W.W.S.	03/08/16	B1	ADDED 109 X 72 WINDOW	W.W.S.	11/02/20	C1	UPDATE TO CURRENT STANDARDS	W.W.S.	03/09/23	
NO.	REVISION DESCRIPTION	BY	DATE																	
A1	UPDATE FOR NEW TESTING	W.W.S.	03/08/16																	
B1	ADDED 109 X 72 WINDOW	W.W.S.	11/02/20																	
C1	UPDATE TO CURRENT STANDARDS	W.W.S.	03/09/23																	



**EXTERIOR ELEVATION:
SIDE-BY-SIDE WINDOW**
SCALE: 3/4" = 1'-0"
(NAIL FIN MOUNT CONDITION)

**EXTERIOR ELEVATION:
SINGLE WINDOW WITH TRANSOM**
SCALE: 3/4" = 1'-0"
(NAIL FIN MOUNT CONDITION)

ALLOWABLE SIDE-BY-SIDE WINDOW SIZE/PRESSURE TABLE		
MAXIMUM OVERALL FRAME WIDTH DIMENSION (IN.)	MAXIMUM FRAME HEIGHT DIMENSION (IN.)	ALLOWABLE PRESSURE (+/- PSF)
TRIPLE WINDOW		
109	63	35
109	72	30
DOUBLE WINDOW		
96	72	35
72	65 1/2	50

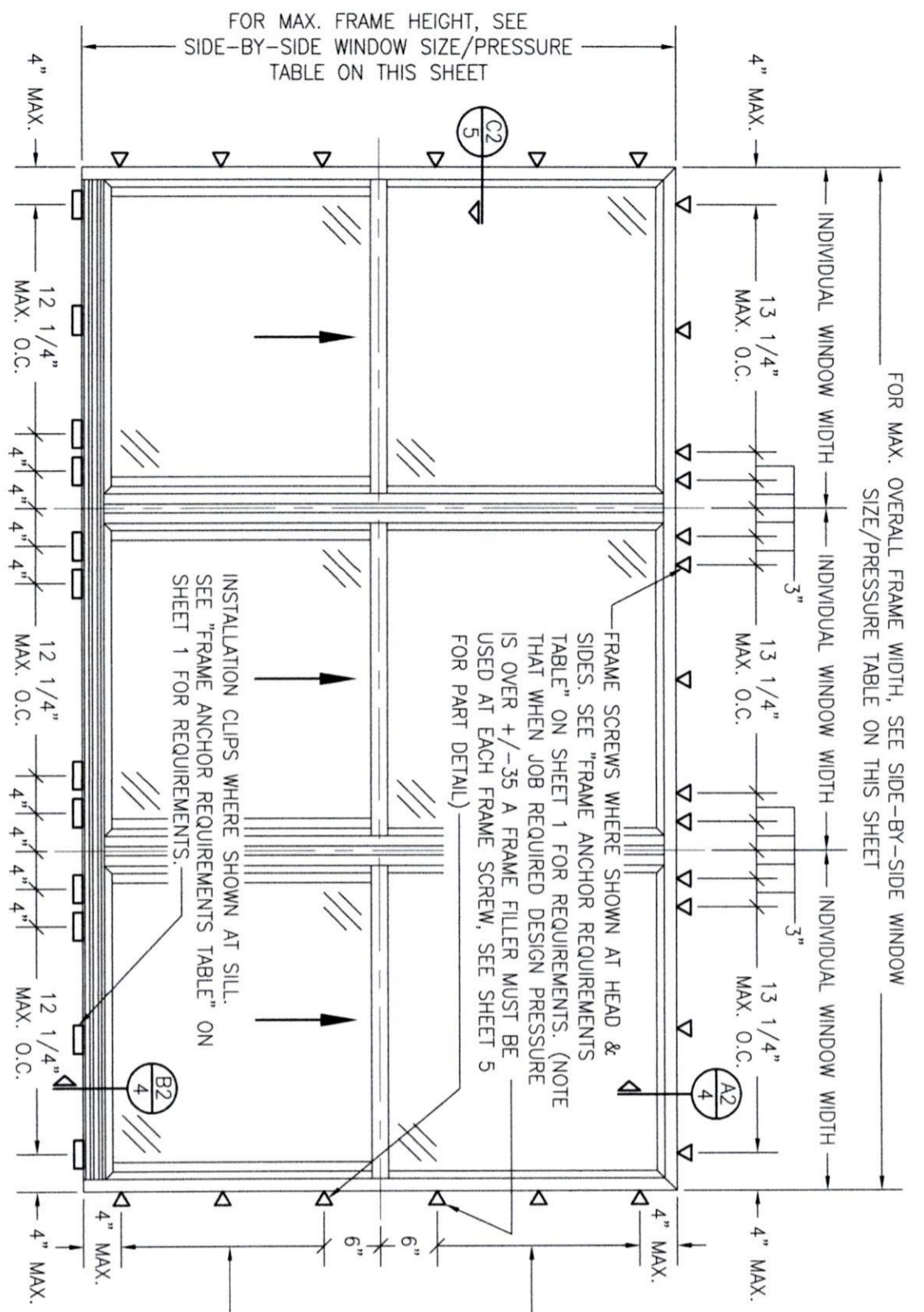
ALLOWABLE DESIGN PRESSURE (TRANSOM UNITS ONLY)
+/-35 PSF

PRESSURES & CONDITIONS SHOWN IN THIS DRAWING ARE GOVERNED BY INSTALLATION REQUIREMENTS ONLY. THE GOVERNING CONDITIONS ON ANY SPECIFIC PRODUCT SHALL BE THE LESSER OF THOSE SPECIFIED IN THE PRODUCTS STATE APPROVAL OR THAT SHOWN IN THESE DRAWINGS.

NO.	REVISION DESCRIPTION	BY	DATE

DRAWING TITLE 250 SERIES VINYL SINGLE HUNG NON-IMPACT WINDOW	
CONSULTANTS W. W. SCHAEFER ENGINEERING & CONSULTING, P.A. 26376 NADIR ROAD; UNIT 309 PUNTA GORDA, FL 33983 PHONE: 561-744-3424	MANUFACTURER  PELLA CORPORATION 102 MAIN STREET PELLA, IA 50219 641-621-1000

CERTIFICATION WARREN W. SCHAEFER, P.E. P.E. NO. 44135	DRAWING NO.: 1867 REV.: C	SHEET NO.: 2 OF 5
--	--	------------------------------------

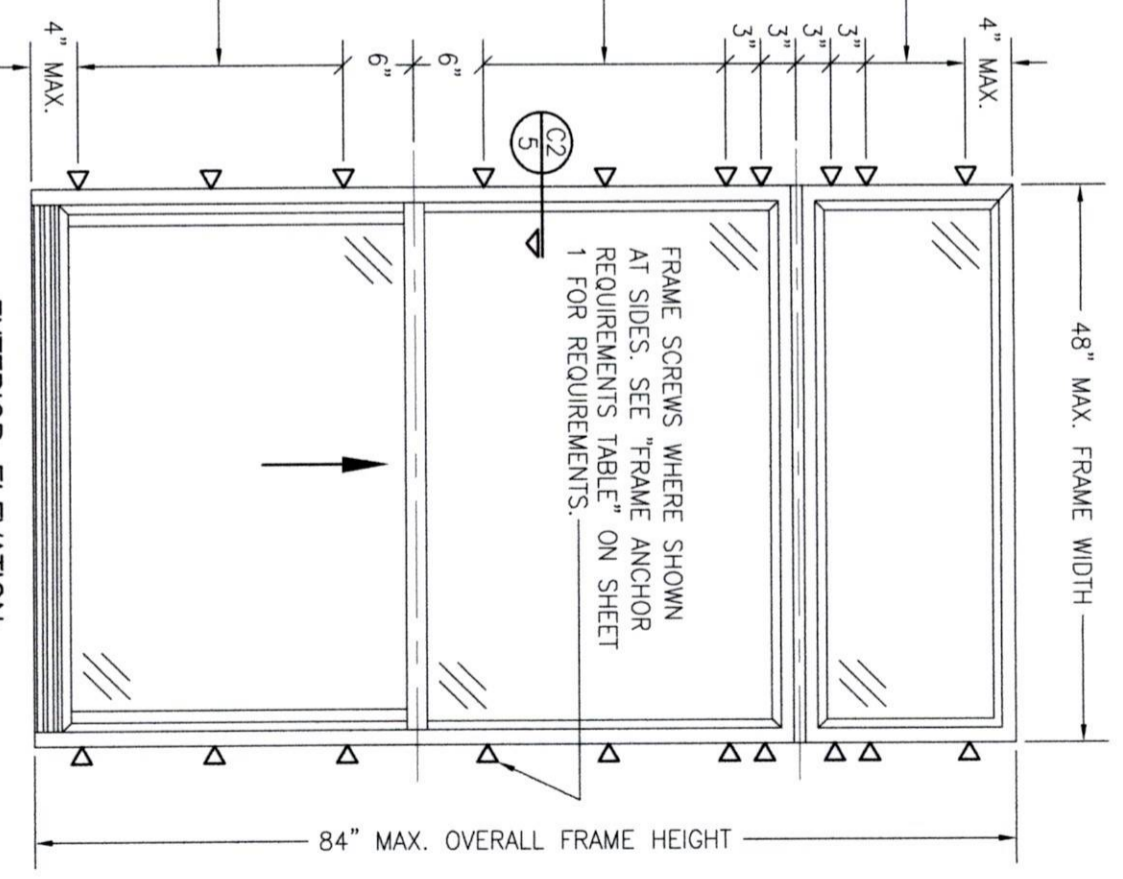


**EXTERIOR ELEVATION:
SIDE-BY-SIDE WINDOW**

SCALE: 3/4" = 1'-0"
(FRAME SCREW AND CLIP MOUNT CONDITION)

MAXIMUM OVERALL FRAME WIDTH DIMENSION (IN.)	MAXIMUM FRAME HEIGHT DIMENSION (IN.)	ALLOWABLE PRESSURE (+/- PSF)
TRIPLE WINDOW		
109	63	35
109	72	30
DOUBLE WINDOW		
96	72	35
72	65 1/2	50

SIDE JAMB ANCHOR SPACING TABLE	
MAXIMUM INDIVIDUAL WINDOW WIDTH (IN.)	MAXIMUM O.C. SPACING (IN.)
48	13
36	17



**EXTERIOR ELEVATION:
SINGLE WINDOW WITH TRANSOM**

SCALE: 3/4" = 1'-0"
(FRAME SCREW MOUNT CONDITION)

ALLOWABLE DESIGN PRESSURE (TRANSOM UNITS ONLY)
+/- 35 PSF

PRESSURES & CONDITIONS SHOWN IN THIS DRAWING ARE GOVERNED BY INSTALLATION REQUIREMENTS ONLY. THE GOVERNING CONDITIONS ON ANY SPECIFIC PRODUCT SHALL BE THE LESSER OF THOSE SPECIFIED IN THE PRODUCTS STATE APPROVAL OR THAT SHOWN IN THESE DRAWINGS.

NO.	REVISION DESCRIPTION	BY	DATE

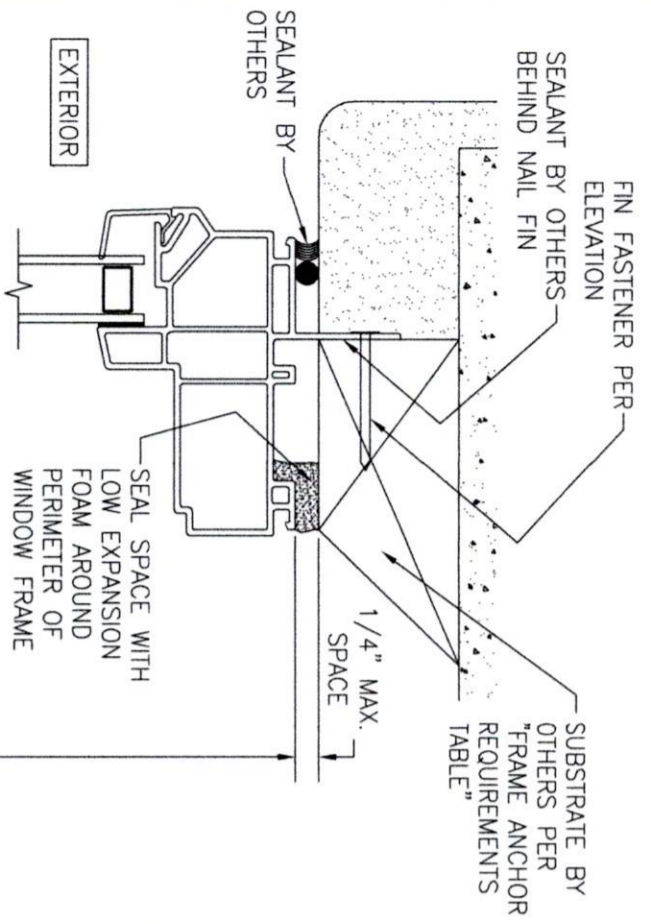
DRAWING TITLE
250 SERIES VINYL SINGLE HUNG NON-IMPACT WINDOW

CONSULTANTS
W. W. SCHAEFER ENGINEERING & CONSULTING, P.A.
26376 NADIR ROAD; UNIT 309
PUNTA GORDA, FL 33983
PHONE: 561-744-3424

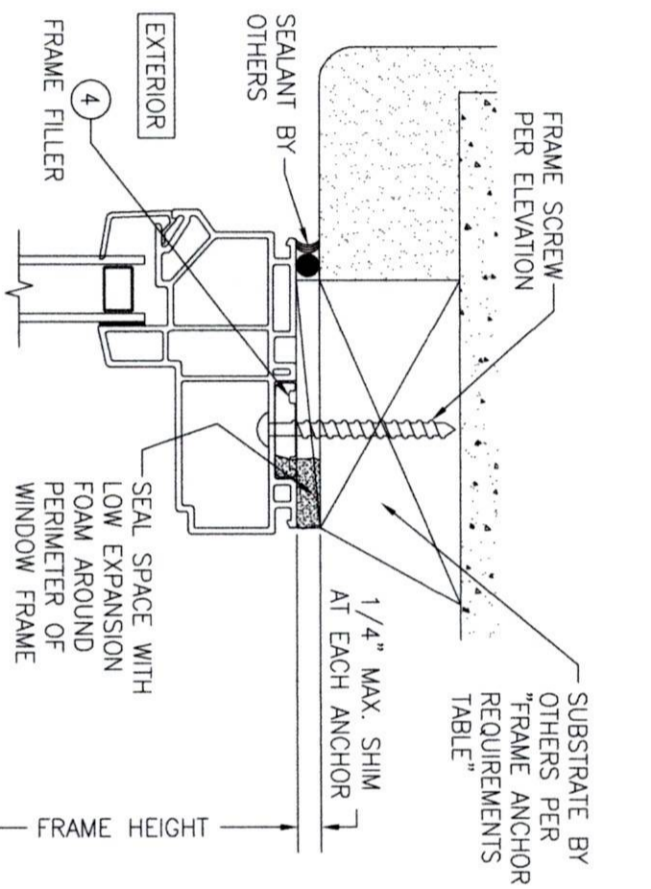
MANUFACTURER
Pella
PELLA CORPORATION
102 MAIN STREET
PELLA, IA 50219
641-621-1000

CERTIFICATION
WARREN W. SCHAEFER, P.E.
P.E. NO. 44135

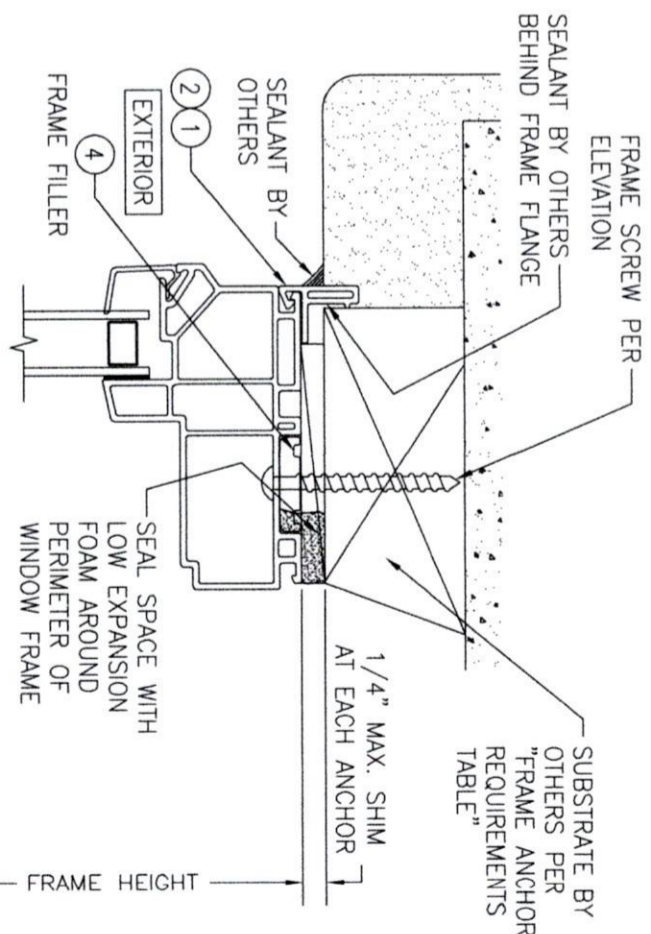
DRAWING NO. **1867**
REV. **C**
SHEET NO. **3** OF **5**



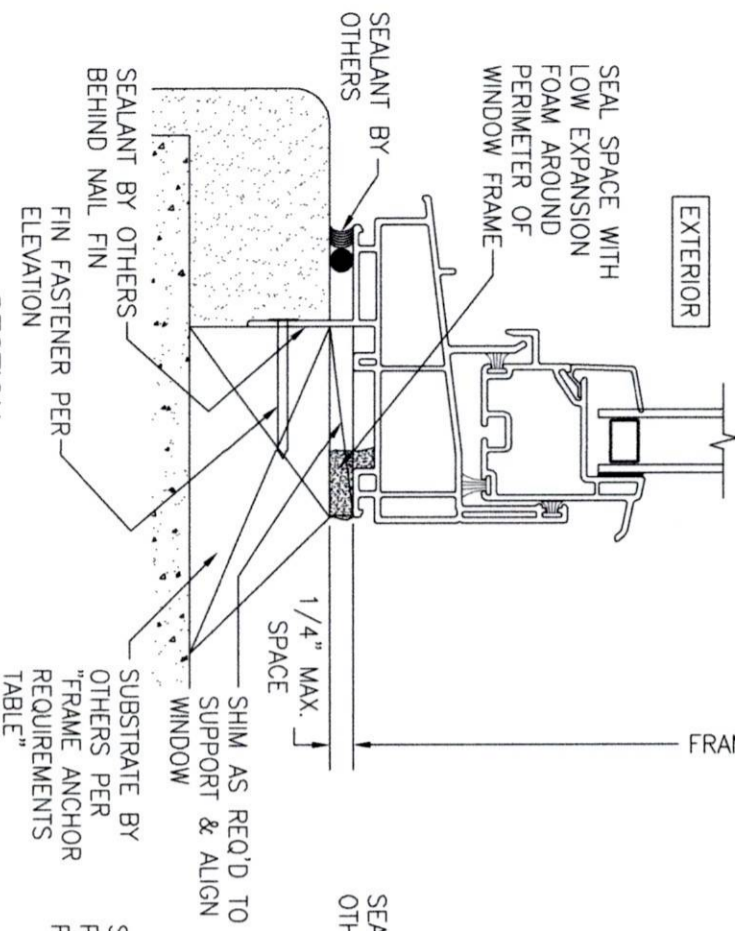
SECTION A1
SCALE: 3/4 FULL
(NAIL FIN MOUNT)



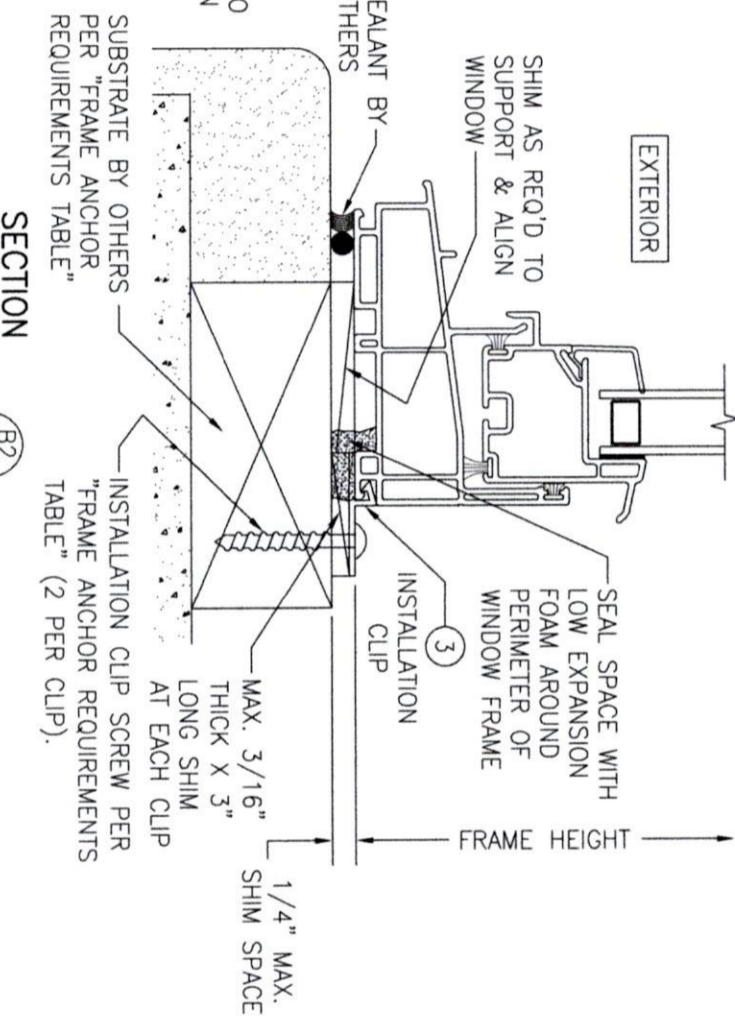
SECTION A2
SCALE: 3/4 FULL
(FRAME SCREW MOUNT CONDITION)



ALTERNATE SECTION A2
SCALE: 1/2 FULL
(FRAME SCREW MOUNT CONDITION WITH FLANGE)



SECTION B1
SCALE: 3/4 FULL
(NAIL FIN MOUNT)



SECTION B2
SCALE: 3/4 FULL
(INSTALLATION CLIP MOUNT CONDITION)

NO.	REVISION DESCRIPTION	BY	DATE

DRAWING TITLE
250 SERIES VINYL SINGLE HUNG NON-IMPACT WINDOW

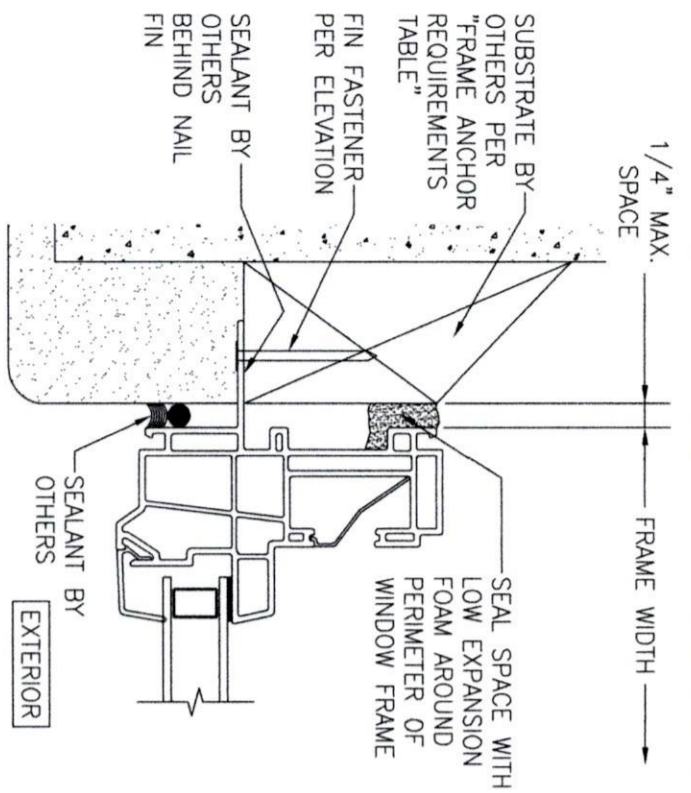
CONSULTANTS
W. W. SCHAEFER ENGINEERING & CONSULTING, P.A.
26376 NADIR ROAD; UNIT 309
PUNTA GORDA, FL 33983
PHONE: 561-744-3424

MANUFACTURER
Pella
PELLA CORPORATION
102 MAIN STREET
PELLA, IA 50219
641-621-1000

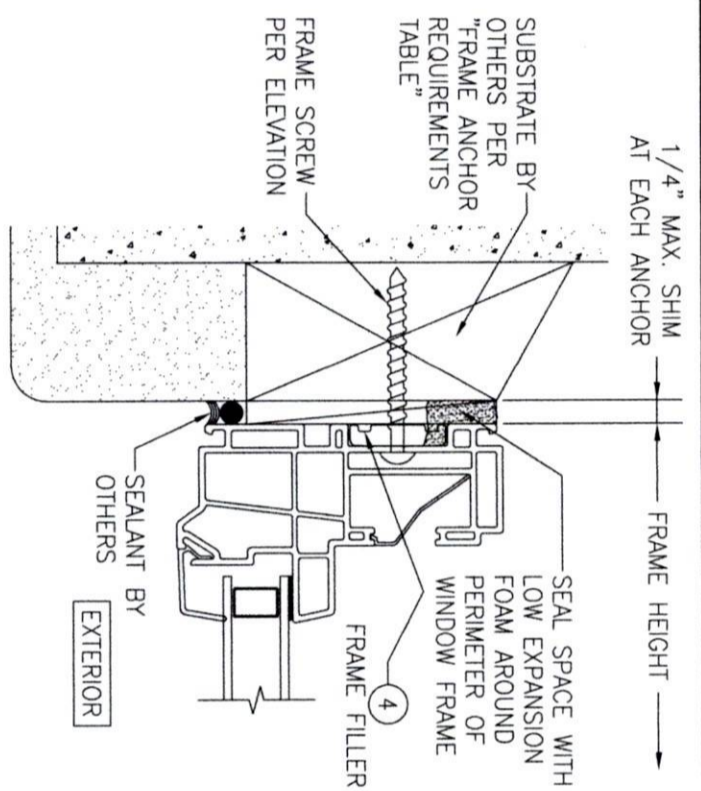
CERTIFICATION
WARREN W. SCHAEFER, P.E.
P.E. NO. 44135

DRAWING NO. **1867**
REV. **C**

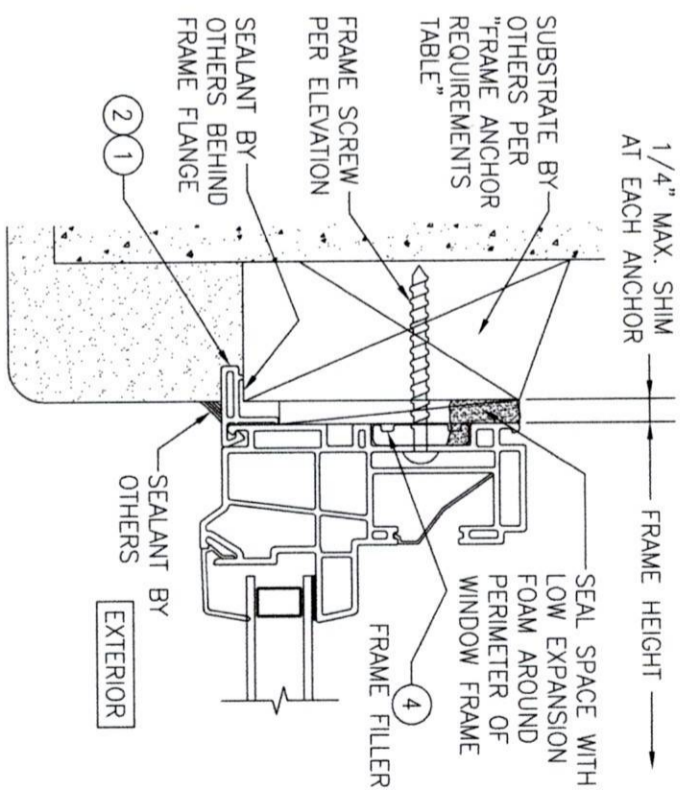
SHEET NO. **4** OF **5**



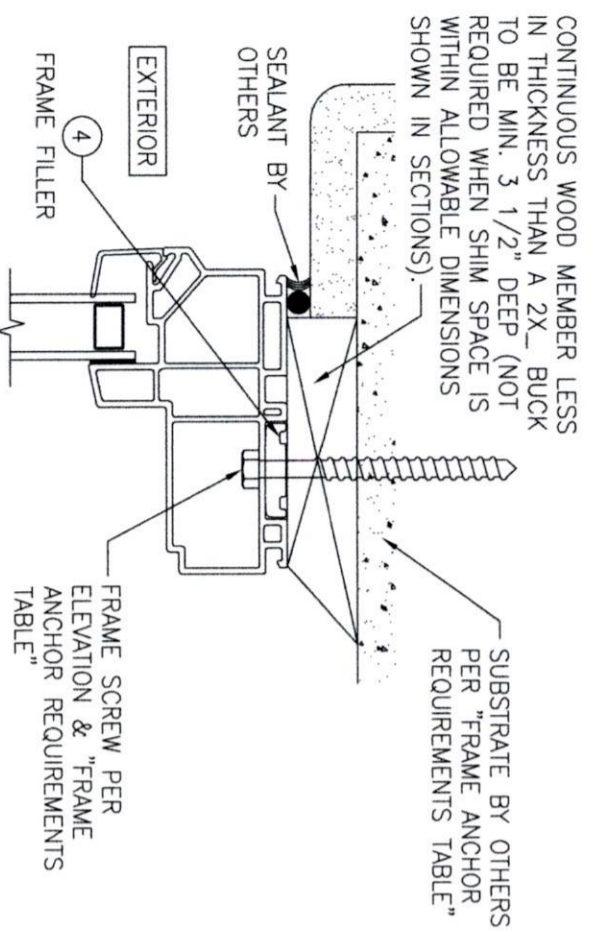
SECTION C1
SCALE: 3/4 FULL
(NAIL FIN MOUNT)



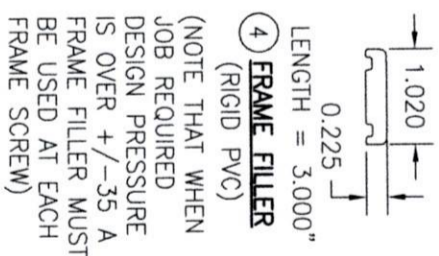
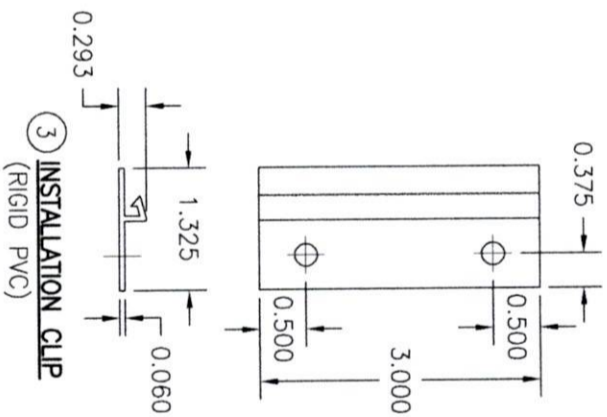
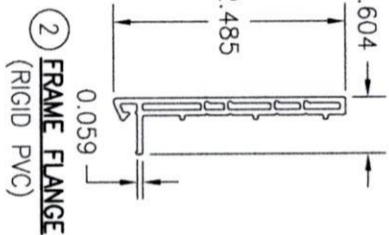
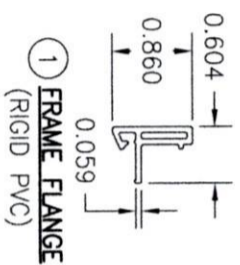
SECTION C2
SCALE: 3/4 FULL
(FRAME SCREW MOUNT CONDITION)



ALTERNATE SECTION C2
SCALE: 1/2 FULL
(FRAME SCREW MOUNT CONDITION WITH FLANGE)



OPTIONAL DIRECT MOUNT DETAIL
TO SUBSTRATE WITH SPACER
(HEAD SECTION SHOWN; SIDES ARE INSTALLED THE SAME)
(DIRECT MOUNT CONDITION IS NOT APPLICABLE AT SILL)
(FOR DETAIL NOT SHOWN, SEE OTHER SECTIONS)



(NOTE THAT WHEN JOB REQUIRED DESIGN PRESSURE IS OVER +/-35 A FRAME FILLER MUST BE USED AT EACH FRAME SCREW)

NO.	REVISION DESCRIPTION	BY	DATE
1	2		02/05/14

DRAWING NO.: 1867
SHEET NO. 5 OF 5

DRAWING TITLE: 250 SERIES VINYL SINGLE HUNG NON-IMPACT WINDOW
CONSULTANTS: W. W. SCHAEFER ENGINEERING & CONSULTING, P.A.
MANUFACTURER: Pella CORPORATION

CERTIFICATION: WARREN W. SCHAEFER, P.E.
P.E. NO. 44135